



bmf[®] Metal Forms

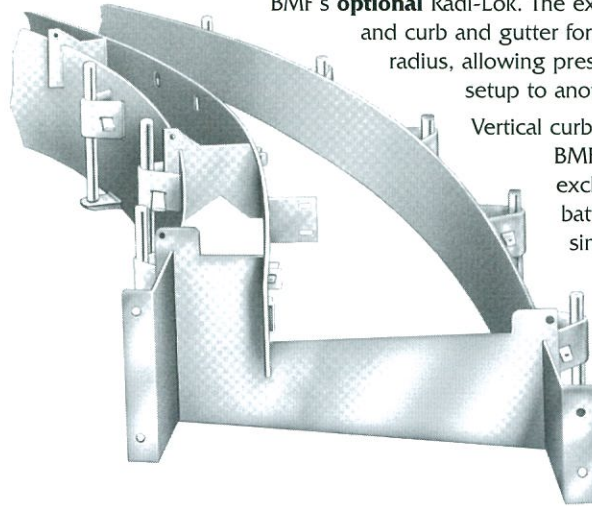
Flexible Curb & Gutter Forms

Flexible Curb/Flexible Curb & Gutter Forms

BMF Flexible Forms are engineered for both inside or outside radii of curbs and curbs and gutters and are most advantageous where frequent radii changes occur. Constructed of Hi-carbon steel, they are lightweight and the six stake pockets afford ample rigidity.

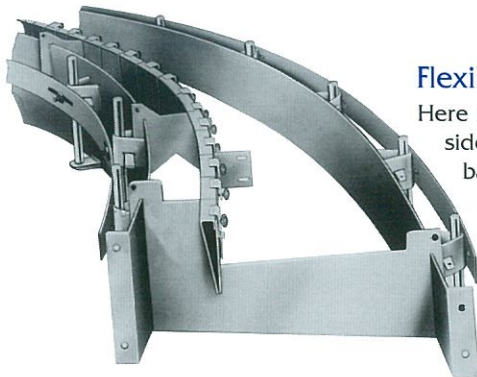
When a particular radius is to be used in a number of setups, specify BMF's **optional** Radi-Lok. The exclusive Radi-Lok allows the curb and gutter forms to be locked into the required radius, allowing presetting and transferring from one setup to another.

Vertical curb faces are easily made using BMF's vertical or J-face forms. The exclusive B-B plates make possible battered faces with no radius, or single top radius and with the addition of the J-face form makes possible a double radius curb face. Division plates are easily inserted as required between B-B plates.



Jaquith Industries Inc.

600 East Brighton Ave.
PO Box 780
Syracuse, NY
13205-0780
315-478-5700
Fax: 315-478-5707



Flexible Radi-Lok Forms

Here is a flexible-form engineered for both inside and outside curves on sidewalks, curbs, curbs and gutters. The exclusive Radi-Lok (radius-locking) band holds the curve you set . . . even while you move the form . . . you don't have to lay out the curve each time. Please specify when ordering as an option.

Radi-Lok forms are light, yet rigid enough to take hard use and the stresses of pouring. The Radi-Lok band stiffens up the top of the form, and the exclusive stake guides keep the bottom from bulging by bracing it against the stakes.

Here is truly "the form with a memory" — a form that will greatly reduce your setting time on curved work. Contact factory for replacement parts.

Specifications

Flexible Gutter Form

Height, in.	6 to 10	Flexible Curb Form	12 to 24
End Connection*	two #19 slotted bolts with taper keys		
Length, ft.	10		
Stake Pockets	six		

*The Super line of end connection, two dowels (electrowelded), can be supplied if desired as an option.

Flexible Curb Face Form

Height, in.	6 to 9
End Connection	slide lock
Length, ft.	10
Division Plate Slots	10 per form (12 in. spacing)
Shape	vertical or vertical J-face

Flexible Curb & Gutter Division Plates

[Suggest one full and three (3) style FVF skeleton plates per 10 ft. length]	
Curb & Gutter Width, in.	18 to 60
Curb Height, in.	12 to 20
Gutter Height, in.	See Guide to Ordering

Flexible Curb Division Plates

[Suggest one full (FCV) and three (3) skeleton plates (FVC) per 10 ft. length]	
Width, in.	5 to 9
Height, in.	12 to 24
See Guide to Ordering.	